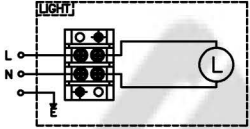
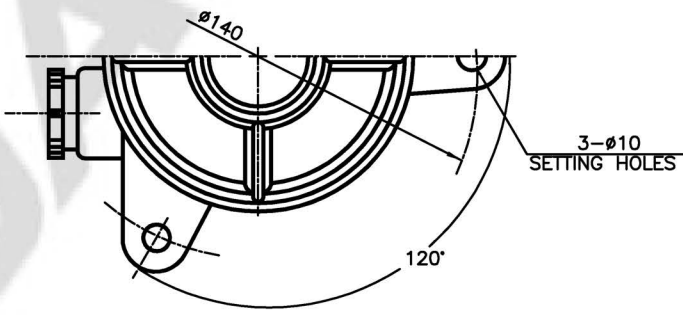
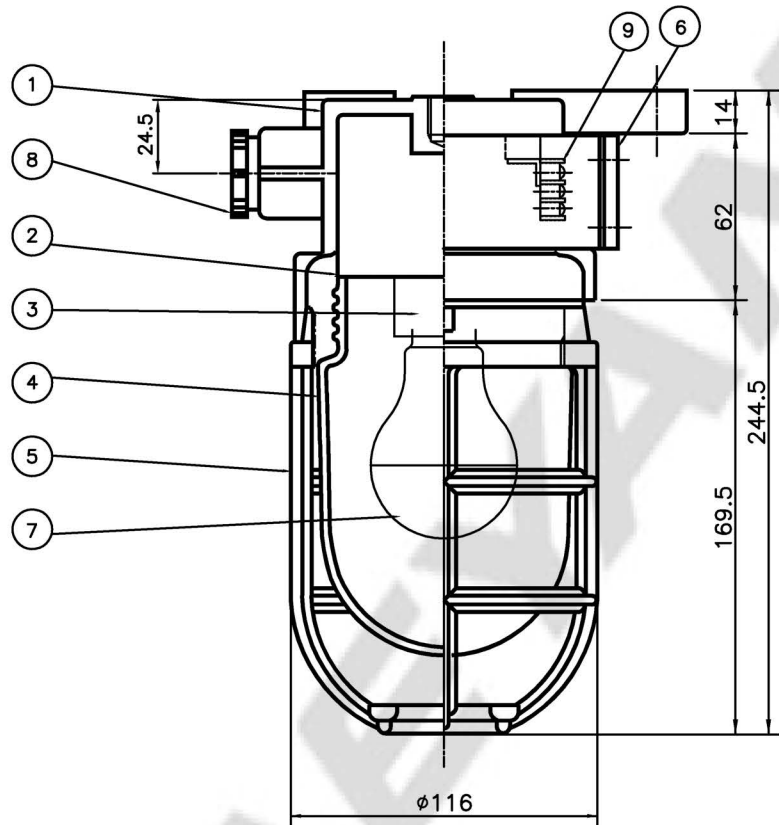



CAPACITY	SYMBOL/ SERIAL NO.	CIRCUIT DIAGRAM
AC220-240V, 50/60Hz		
10W		



9	TERMINAL BLOCK	PHENOL	1	2P	5	GUARD	POLYCAR-BONATE	1	
8	CABLE GLAND(#20)	NYLON	2	φ12~φ15	4	GLOBE	-	1	S-90
7	LED LAMP	-	1	4,000K	3	LAMP HOLDER	PORCELAIN	1	TE26/27
6	TERMINAL COVER	POLYCAR-BONATE	1		2	GLOBE GASKET	SILICONE	1	
					1	BODY	POLYCAR-BONATE	1	
NO	NAME OF PARTS	MATERIAL	Q'TY	REMARKS	NO	NAME OF PARTS	MATERIAL	Q'TY	REMARKS

APPROVED	B. K. KIM	UNIT	MM	TITLE; LED PENDANT LIGHT FOR MARINE USE
CHECKED		SCALE	N/S	
DRAWING	B. I. KIM	COLOR	7.5BG7/2	
DATE	2015.12.04	IP	56	

	MODEL NO.	LP10-23PSCGC40	WEIGHT	2.2 Kg
	DWG NO.	LP1100129	SHEET NO.	16